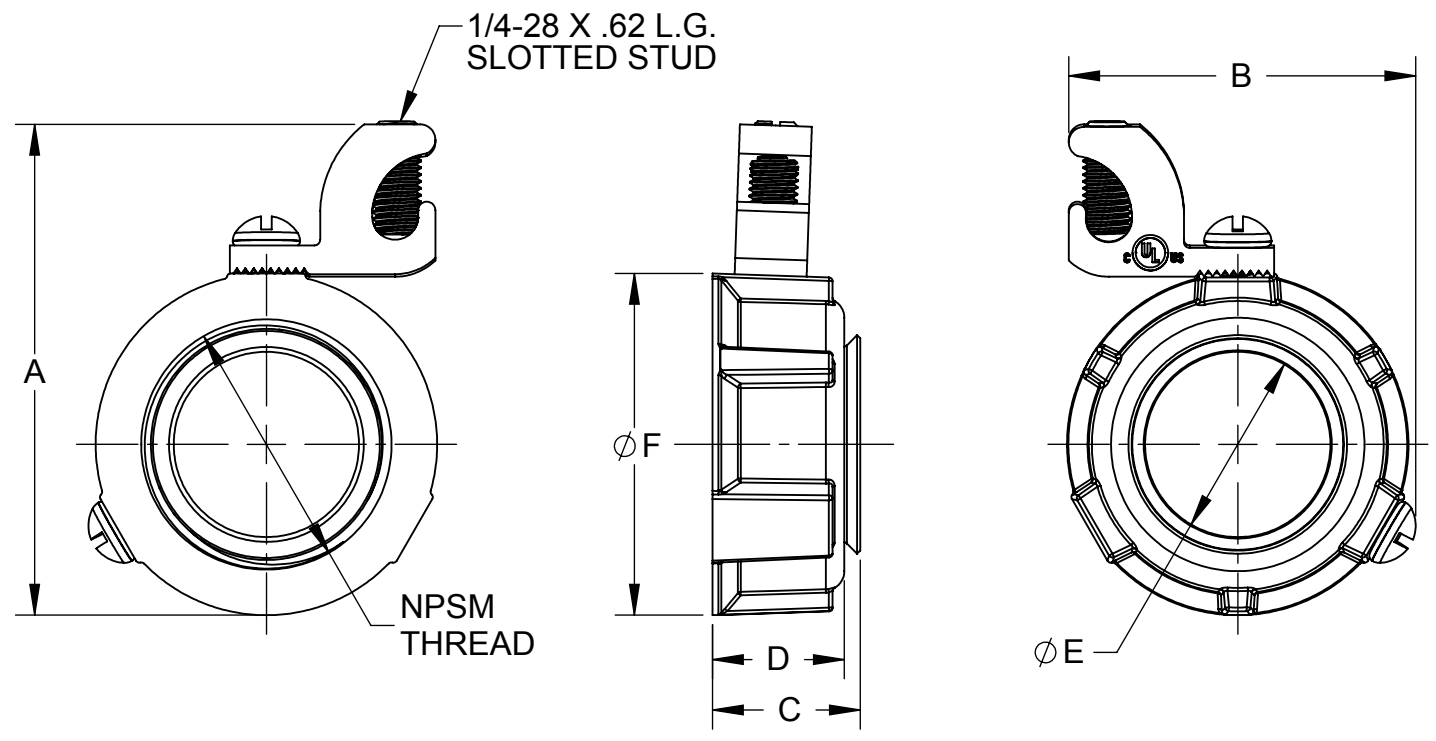
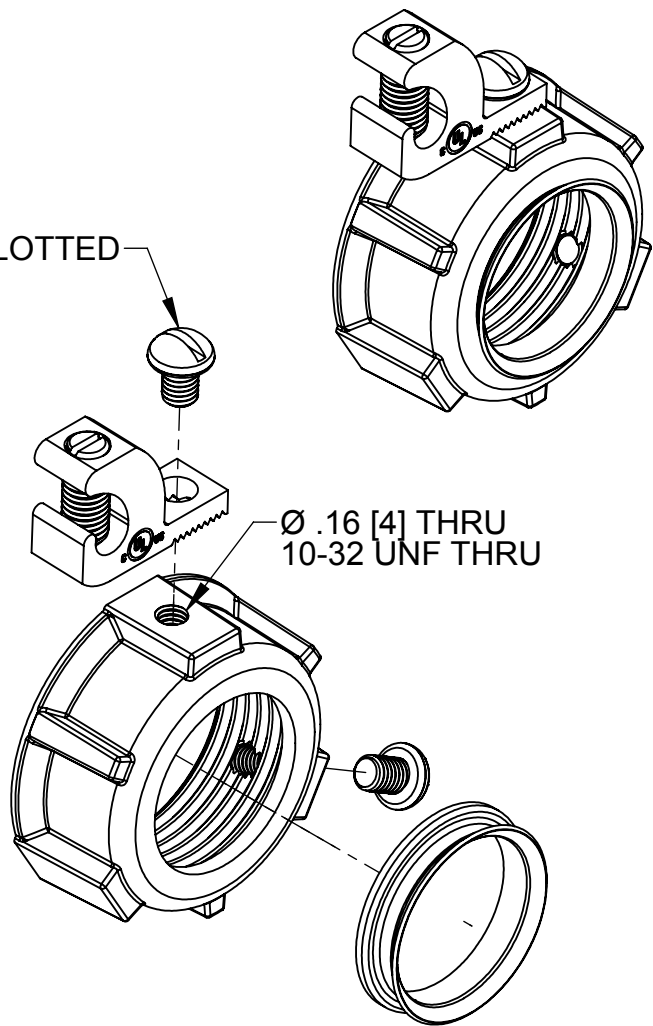


CAT. #	SIZE	MATERIAL	A	B	C	D	E	F	NPSM THREAD
1213	3/4" EMT	MALLEABLE IRON	2.24 [56.9]	1.67 [42.4]	0.66 [16.8]	0.59 [15.0]	0.82 [20.9]	1.45 [36.8]	3/4"-14
1213SS	3/4" EMT	STAINLESS STEEL	2.24 [56.9]	1.67 [42.4]	.66 [16.8]	0.59 [15.0]	0.82 [20.9]	1.45 [36.8]	3/4"-14
1214	1" EMT	MALLEABLE IRON	2.57 [65.3]	1.77 [45.0]	0.77 [19.6]	0.69 [17.5]	1.03 [26.2]	1.78 [45.2]	1" - 11.5
1214SS	1" EMT	STAINLESS STEEL	2.57 [65.3]	1.77 [45.0]	0.77 [19.6]	0.69 [17.5]	1.03 [26.2]	1.78 [45.2]	1" - 11.5

#10-32 X 1/4"
ROUND HEAD SLOTTED



LIST OF PARTS		
DESCRIPTION	MATERIAL	FINISH
BUSHING BODY	SEE TABLE	GALVANIZED
INSULATING THROAT	PLASTIC	BLACK
GROUNDING LUG	ALUMINUM	ZINC

SYM.	REVISION DESCRIPTION	APP	DATE
	INITIAL RELEASE	S.J.	11/15/2016

THE DESIGN AND DIMENSIONS OF THE PRODUCT SHOWN ON THIS DRAWING ARE SUBJECT TO CHANGE WITHOUT NOTICE

TITLE:
GROUND BUSHING W/LAY-IN LUG & INSULATED THROAT

TOLERANCE UNLESS OTHERWISE SPECIFIED .XX DECIMAL ±.015 .XXX DECIMAL ±.005 ANGLE ±2°	RACO South Bend, Indiana		SCALE: 1:1
	DRAWN BY:	F.P.	
	APP. BY:	S.J.	
	DATE:	11/15/2016	

NOTES:
1. ALL DIMENSIONS ARE IN INCHES AND [MILLIMETERS]
2. cULus LISTED